



HL-SMC Series Contactor Panel

Contactor Panel for Electrical Self-Regulating Heat Trace Systems



Data Sheet

Description

The Heat-Line HL-SMC Contactor Panel series offers a cost-effective, industrial-grade solution for managing snow-melting and heat trace systems, ensuring enhanced electrical safety and reliable performance. Designed for self-regulating heating cables, these panels integrate seamlessly with external Heat-Line 120V controllers, offering circuit control and enhanced safety features to support a wide range of heat trace applications. Available with optional ground fault equipment protection to ensure a cost effective and seamless installation.

Features

Key features include a 4-hour force-on timer or indefinite hold for energizing heat trace circuits without a signal from the Heat-Line controller, pilot light indicators for energization and trip conditions, and optional built-in ground fault equipment protection with an easy-to-access reset button. These durable panels can safely manage up to twelve single-pole single-phase circuits or six two-pole single-phase circuits, accommodating voltage applications from 120V to 277V. Contact Heat-Line for detailed information and assistance with panel design for higher voltage systems.

- **Low-Cost Solution:** Affordable without compromising on quality or safety.
- **Industrial-Grade Durability:** Built for reliability in demanding environments.
- **LED Indicators:** Pilot lights provide clear indication of system energization and trip conditions.
- **Force-On Timer:** Integrated 4-hour timer and indefinite hold allows manual override for extended operation.
- **Integrated Safety Features:** Built-in ground fault equipment protection on GFEP models ensures operator and system safety.
- **User-Friendly Operation:** Easy access ground fault trip reset button on GFEP models for quick and simple resets.
- **Equipment Protection:** 2-year standard manufacturer limited warranty.
- **Audible Alarm:** Includes integrated alarm siren to notify of trip conditions.

Electrical Ratings

Heat Trace Voltage Range	120V - 277V
Control Power	120V
Switching Current Rating	50A resistive load capacity per pole
Enclosure Rating	NEMA 1 – Indoor application
Mounting	Wall mounted
Timer Override	4-hour and Indefinite hold
Trip Level (GFEP Models ONLY)	30mA

Approvals / Certifications



Ordering Information

Part No.	Description	Heat Trace Circuit Capacity	No. of Contactors	Dimensions
HL-SMC-2C3P-GFEP	GFEP heat trace contactor panel 2 3-pole contactors	3 Circuits (120V, 208V, 240V, 277V)	2	14"x12"x8"
HL-SMC-4C3P-GFEP	GFEP heat trace contactor panel 4 3-pole contactors	6 Circuits (120V, 208V, 240V, 277V)	4	20"x20"x8"
HL-SMC-2C3P	Heat trace contactor panel 2 3-pole contactors	6 - Single Pole Circuits (120V, 277V) 3 - Two Pole Circuits (208V, 240V)	2	14"x12"x8"
HL-SMC-4C3P	Heat trace contactor panel 4 3-pole contactors	12 - Single Pole Circuits (120V, 277V) 6 - Two Pole Circuits (208V, 240V)	4	20"x20"x8"

⚠ WARNING:

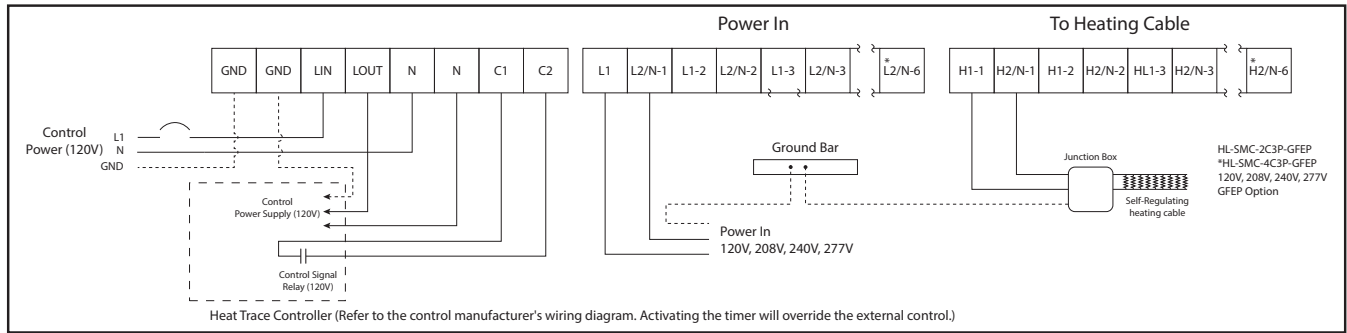
Important Safety Instructions and Rules for Safe Installation and Operation

- Read these rules and instructions carefully. Failure to follow them could result in serious bodily injury and/or property damage.
- Check your local building and electrical codes before installing. You must comply with their rules and regulations.
- The panel includes comprehensive wiring diagrams and schematics. A qualified electrician must perform all electrical work in accordance with applicable national and local codes and standards.
- Electric Arc Flash Hazard. Will cause severe injury or death. Wear proper protective equipment before opening or performing diagnostic measurements while energized.
- To reduce the risk of fire or electric shock, current-carrying parts and the other components of the controller should be examined and replaced if damaged.
- Intended for self-regulating heating cable resistive loads ONLY.
- This is not intended to be a high-limit device.
- Panels contain more than one source of electricity. Be sure to shut off all sources before opening.
- Component approvals and performance are based on the use of specified parts only. Do not substitute parts.

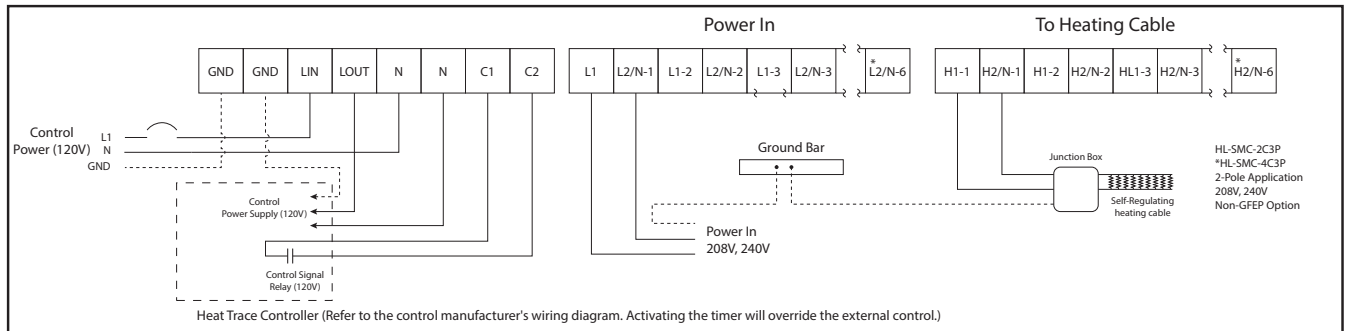
For additional installation questions, support, or replacement parts contact Heat-Line at (800) 584-4944 or support@heatline.com.

Wiring Diagrams

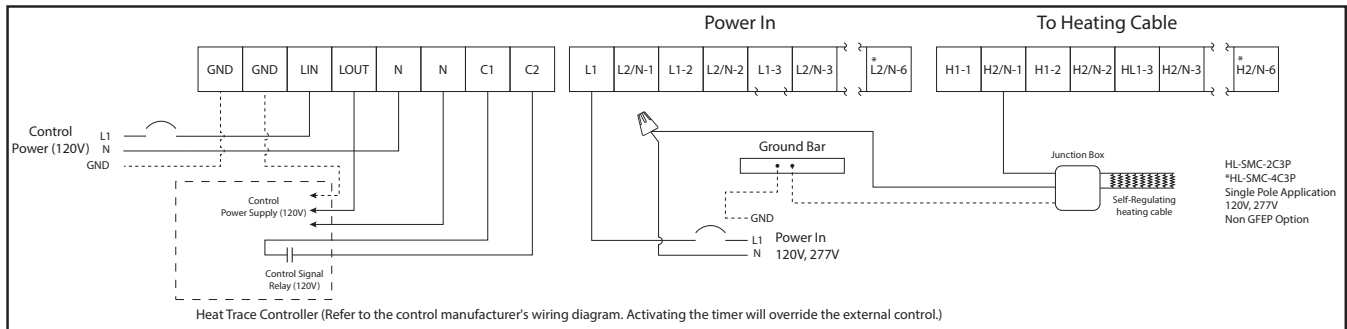
HL-SMC-2C3P-GFEP / HL-SMC-4C3P-GFEP GFEP Option



HL-SMC-2C3P / HL-SMC-4C3P 2-Pole Application 208V, 240V Non-GFEP Option



HL-SMC-2C3P / HL-SMC-4C3P Single Pole Application 120V, 277V Non-GFEP Option



Heat-Line Freeze Protection Systems

1095 Green Lake Road
 Algonquin Highlands, ON Canada
 K0M 1S0
 Tel: 1-705-754-4545
 1-800-584-4944
 Fax: 1-705-754-4567
 info@heatline.com
www.heatline.com

Heat-Line is a trademark of Heat-Line Corporation. All other trademarks are the property of their respective owners.

Important: All information, including illustrations, is believed to be reliable. Users, however, should independently evaluate the suitability of each product for their particular application. Heat-Line a Division of Christopher MacLean Ltd. makes no warranties as to the accuracy or completeness of the information, and disclaims any liability regarding its use. Heat-Line's only obligations are those in the Heat-Line Standard Terms and Conditions of Sale for this product, and in no case will Heat-Line be liable for any incidental, indirect, or consequential damages arising from the sale, resale, use, or misuse of the product. Specifications are subject to change without notice. In addition, Heat-Line reserves the right to make changes—without notification to Buyer—to processing or materials that do not affect compliance with any applicable specification.