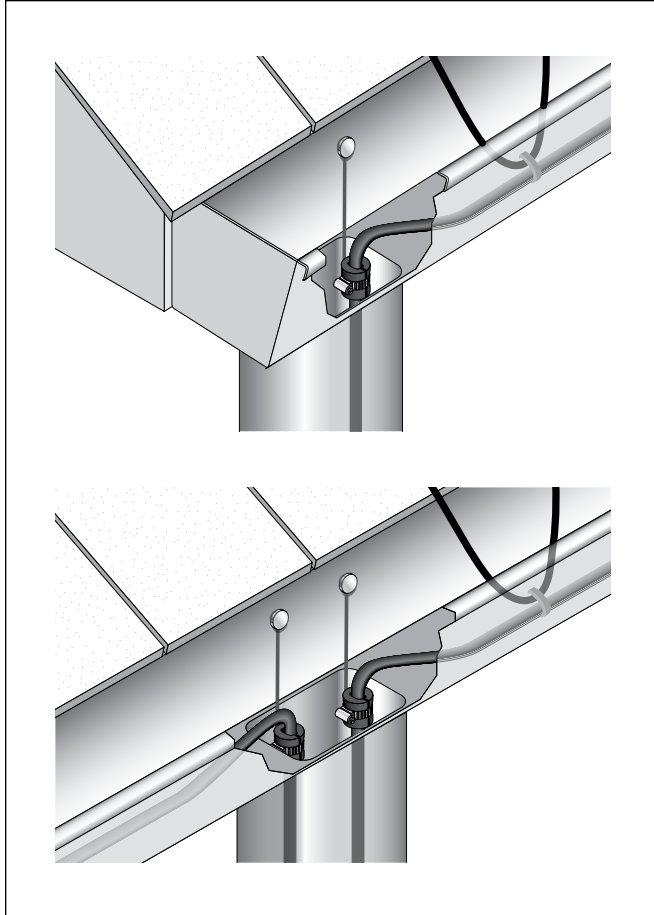




PLD-RDK

Downspout Hanger Kit for Securing Heat-Line Heating Cables

Roof and Gutter Applications



Installation Instructions

Description

The PLD-RDK downspout hanger kit is for use with Heat-Line Paladin and cut-to-length self-regulating heating cables. Downspout hanger brackets should be used to secure and protect the heating cable where it enters the downspout. Carefully follow these instructions to ensure a proper installation.

Do not use other hardware or techniques which may damage the heating cable and cause electrical hazard, fire damage or poor performance.

The PLD-RDK kit contains material for one downspout entrance. In applications where the heating cable enters and exits the same downspout 2 downspout hangers will be required.

Approvals



Table of Contents

Description	1
Kit Contents	1
Warnings	1
Dimensions	2
Standard Roof Installation	2
Installation	3

Tools Required

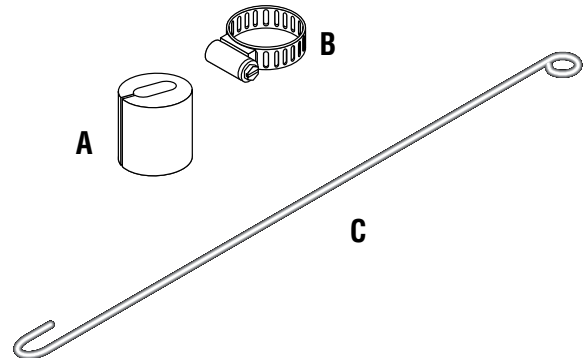
- Hammer or screwdriver for fastener
- Slotted screwdriver

Additional Materials Required (but not provided)

- Fastener (Nail or Screw)

Kit Contents

Item	Qty	Description
A	1	Split grommet
B	1	Clamp
C	1	Hanger



WARNING:

Important Safety Instructions and Rules for Safe Installation and Operation

- Read these rules and instructions carefully. Failure to follow them could result in serious bodily injury and/or property damage.
- Check your local building and electrical codes before installing. You must comply with their rules.
- To minimize the danger of fire from sustained electrical arcing if the heating cable is damaged or improperly

installed, and to comply with the requirements of the national electrical codes, ground-fault equipment protection must be used on each heating cable branch circuit.

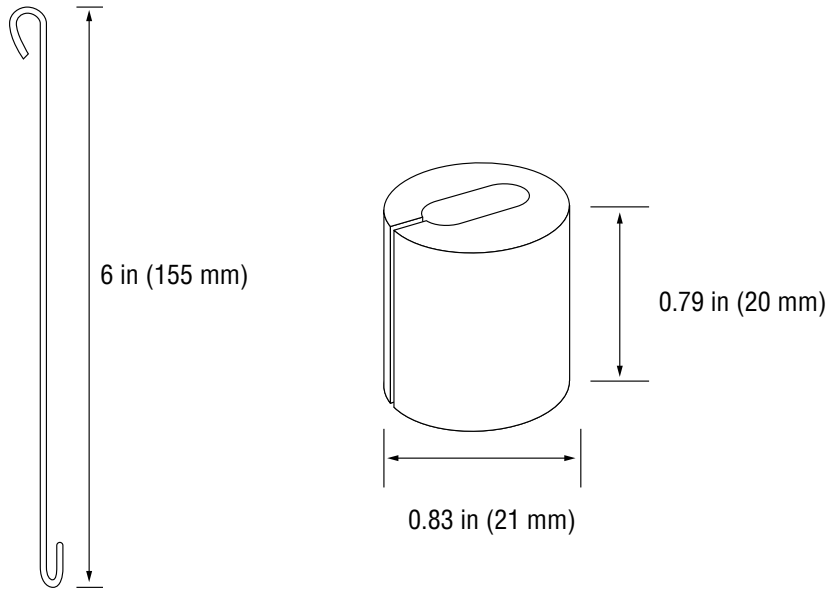
- Damaged heating cables can cause arcing or fire. Do not energize damaged heating cables. Repair or replace damaged heating cables before applying power.
- Component approvals and performance are based on the use of specified parts only. Do not substitute parts.

F. Leave these installation instructions with the user for future reference.

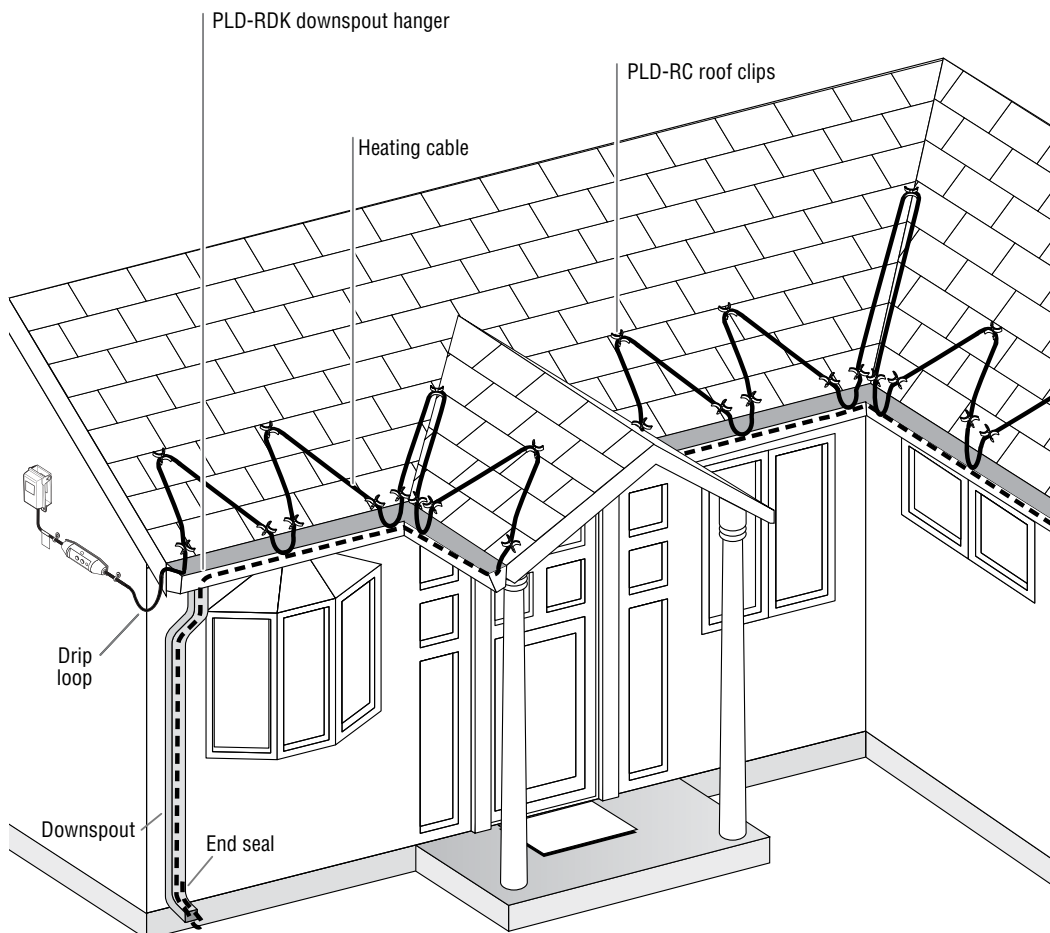
G. For additional installation questions, support, or replacement parts contact Heat-Line at (800) 584-4944.

WHEN PERFORMING WORK OR REPAIRS ON YOUR ROOF BE SURE TO DE-ENERGIZE YOUR HEATING CABLE SYSTEM.

PLD-RDK Kit Dimensions

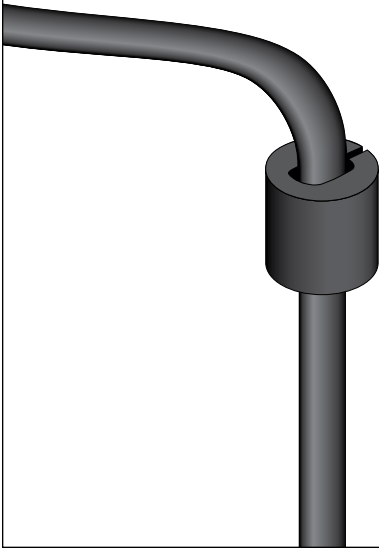


Standard Roof Installation



1

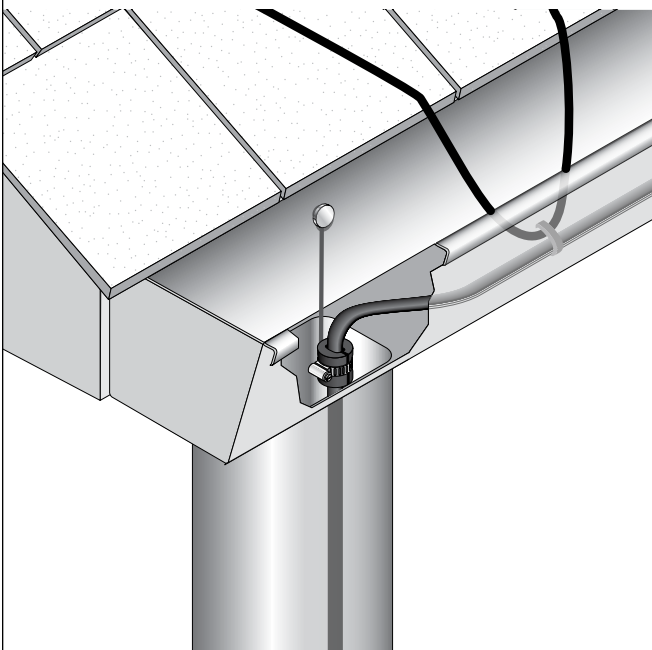
- Position the split grommet around the heating cable at the designated location for the downspout hanger installation.

**2**

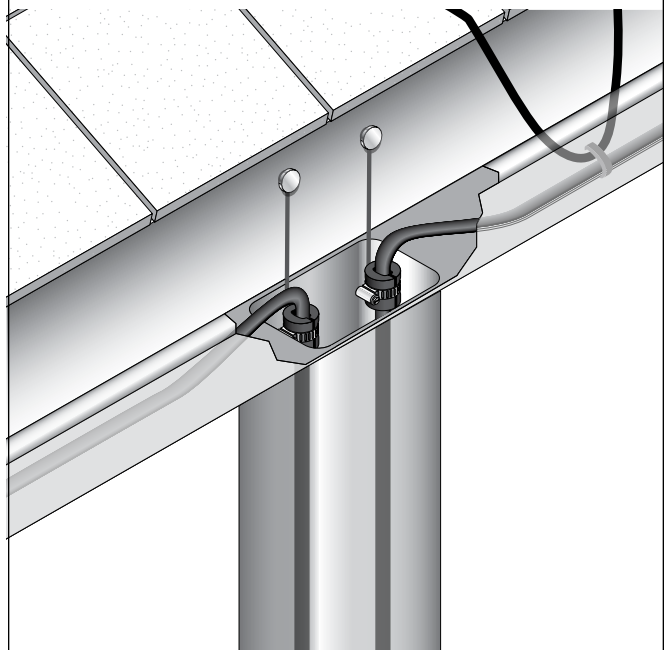
- The wire hanger is designed with a U-shaped bend on one end and a loop bend on the opposite end. Position the U-shaped end of the hanger centrally along the grommet. Slide the clamp over the wire hanger, aligning it with the hanger loop. Tighten the clamp securely to ensure the hanger and cable are firmly in place.

**3**

- Secure the hanger assembly to the gutter or fascia by fastening with a roofing nail or screw through the looped end of the hanger.

**4**

- For installations requiring two hanger kits, repeat steps 1 through 3 for the opposite heating cable.



Heat-Line Freeze Protection Systems

1095 Green Lake Road
Algonquin Highlands, ON Canada
KOM 1S0
Tel: 1-705-754-4545
1-800-584-4944
Fax: 1-705-754-4567
info@heatline.com
www.heatline.com

Heat-Line and Paladin are registered trademarks of Heat-Line Corporation.

Important: All information, including illustrations, is believed to be reliable. Users, however, should independently evaluate the suitability of each product for their particular application. Heat-Line a Division of Christopher MacLean Ltd. makes no warranties as to the accuracy or completeness of the information, and disclaims any liability regarding its use. Heat-Line's only obligations are those in the Heat-Line Standard Terms and Conditions of Sale for this product, and in no case will Heat-Line be liable for any incidental, indirect, or consequential damages arising from the sale, resale, use, or misuse of the product. Specifications are subject to change without notice. In addition, Heat-Line reserves the right to make changes—without notification to Buyer—to processing or materials that do not affect compliance with any applicable specification.