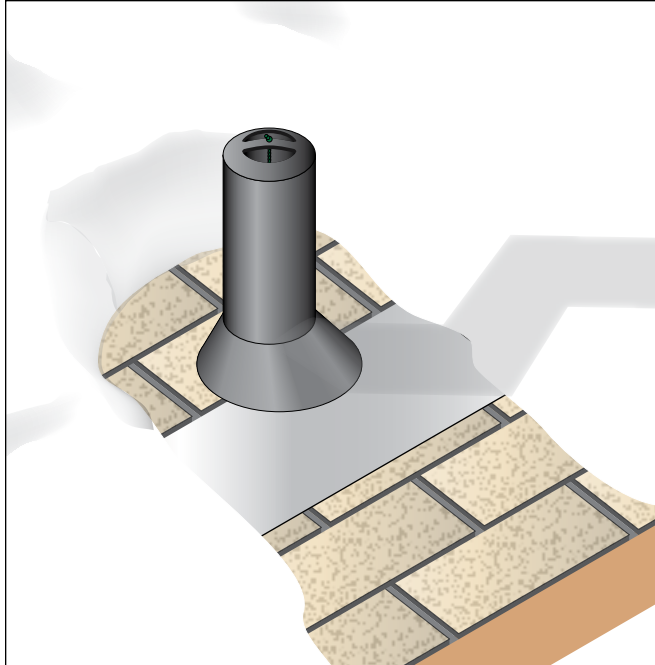




ArcticVent®

Installation Instructions for Electrical Units

Installation Instructions



Description

ArcticVent is a reliable solution to freeze protect plumbing vent stacks. Prolonged cold temperatures cause plumbing vent stacks to ice up and form a blockage as warm moist air rises, condenses and freezes. ArcticVent eliminates this ice blockage where it exits the roof of a building promoting healthier living conditions.

ArcticVent GFC and CS electric models must be protected by a Ground Fault Circuit Protection Device (GFCI). Each ArcticVent GFC model is supplied with 27-milliamp GFCI protection. All ArcticVent CS models require GFCI protection to be supplied at the electrical panel or with a Heat-Line MilliAMP. These products must be installed and wired in accordance with the National Electrical Code (NEC) in the USA and the Canadian Electrical Code (CEC) in Canada.

- Never bypass the Ground Fault Protection.
- Never cut, drill or alter this product in any manner.
- ALWAYS test the system ground fault device before seasonal start-up and monthly while in use.

Note: During installation ensure outdoor temperature is equal to or greater than 14°F (-10°C).

ArcticVent GFC systems simply plug in. The CS models will require Ground Fault Circuit protection (not included) and field wiring.

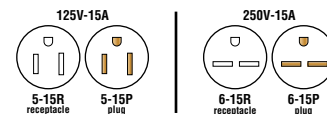
Proper completion of this installation will require the expertise of plumbing/mechanical and electrical trades. This is a professional product designed to be installed by licensed tradepersons and must be inspected by the proper electrical and mechanical authorities following completion of the finished installation.

For technical support call Heat-Line Freeze Protection Systems at (800) 584-4944.

This product must be installed in accordance with governing electrical, plumbing and building authorities.

CAUTION! Failure to properly install and test this product while in use may be hazardous and may result in property damage or loss of life.

Plug and Receptacle NEMA 5-15R/ 5-15R (AV120 GFC Model) and NEMA 6-15R/ 6-15P (AV240 GFC Model)



Approvals



Enclosure Type 3R

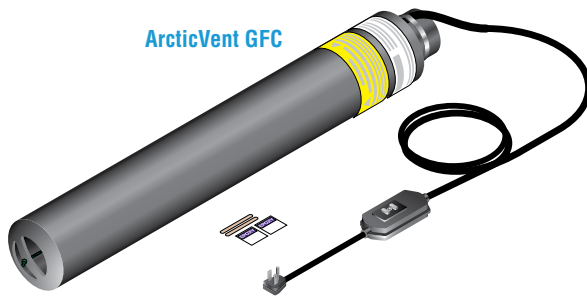
Table of Contents

General Information	1
Warnings	1
Kit Contents	2
Optional Accessories	2
Plumbing / Mechanical Installation	3
Electrical Connection	4
Electrical Installation and Testing	6
Limited Warranty	6
ArcticVent Specification	7
Extended Warranty Application Form	9

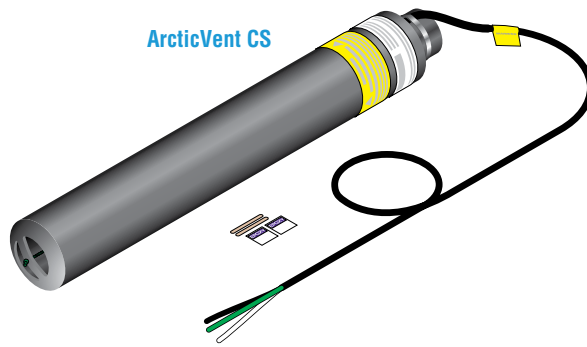
WARNING:

Important Safety Instructions and Rules for Safe Installation and Operation

- Read these rules and instructions carefully. Failure to follow them could result in serious bodily injury and/or property damage.
- Check your local building, plumbing and electrical codes before installing. You must comply with their rules.
- Before installing this product have the electrical outlet checked by an electrician to make sure it is properly installed and grounded.
- Before installing or servicing your ArcticVent BE CERTAIN that the power source is disconnected.
- Do not use extension cords.
- Never tamper with or alter with the casing and internal electrical apparatus associated with your ArcticVent system.
- This component is an electrical device that must be installed correctly to ensure proper operation and to prevent shock or fire. Read these important warnings and carefully follow all of the installation instructions.
- To minimize the danger of fire from sustained electrical arcing if the heating cable is damaged or improperly installed, and to comply with the requirements of Heat-Line a Division of Christopher MacLean Ltd., agency certifications, the National Electrical Code and Canadian Electrical Code, ground-fault equipment protection must be used. Arcing may not be stopped by conventional circuit breakers.
- Component approvals and performance are based on the use of Heat-Line a Division of Christopher MacLean Ltd. specified parts only. Do not use substitute parts or vinyl electrical tape.
- This is a professional product designed to be installed by licensed tradepersons and must be inspected by the proper electrical and mechanical authorities following completion of the finished installation.



ArcticVent GFC



ArcticVent CS

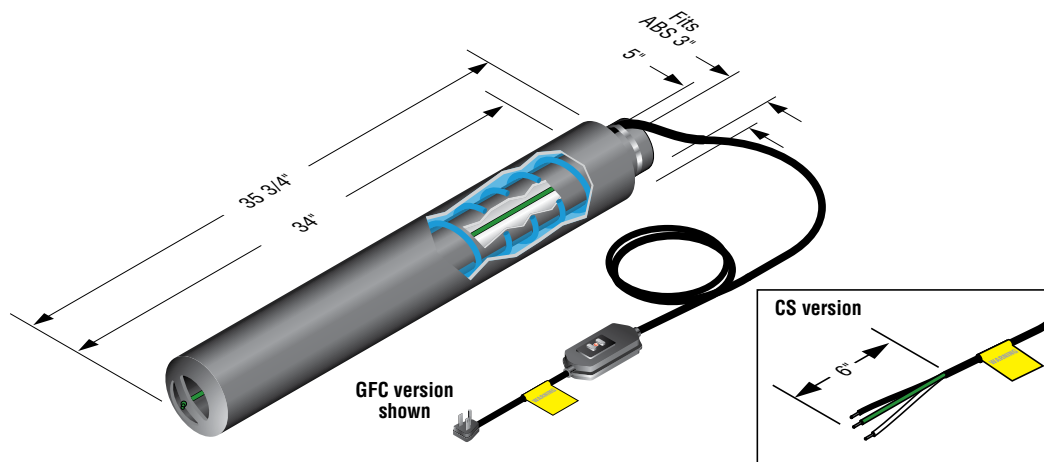
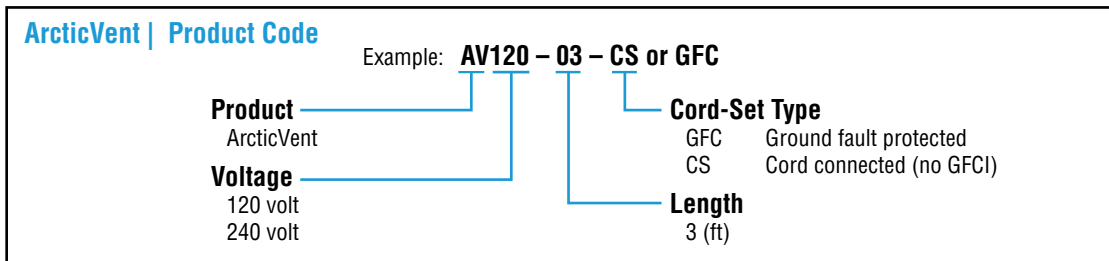
Kit Contents

Qty	Description
1	ArcticVent CS or ArcticVent GFC
2	2-part epoxy pack
2	Epoxy mixing sticks

Optional Accessories

HLPC-TIMER-CS	Programmable Timer for 120V or 240V CS Models
HLPC-TIMER-120P	Programmable Timer for 120V GFC Models
HLPC-TIMER-240P	Programmable Timer for 240V GFC Models
MA-10	GFCI/ELCI Electrical Equipment Protection Device
AV-AS-FLASH	Roof Vent Flashing for Asphalt Roof Application
AV-ST-FLASH	Roof Vent Flashing for Steel Roof Application
WARRANTY	Extended 10 year limited product warranty

Ordering Chart



Specifications:

CS lead length:	72 inches (183 cm)
GFC 120V lead length:	48 inches (122 cm)
GFC 240V lead length:	72 inches (183 cm)
GFCI:	27 milliamp (GFC model only)
Weight:	11 pounds (5 kg)

Heating Element:

25 feet (7.6 meters) total heating cable length
 5 watts per foot @ 50°F (10°C), self-regulating
 Total rating: 75 watts @ 50°F (10°C)

Tubes:

Outer:	5 inch (12.7 cm)
Inner:	3 inch (7.6 cm)
Material:	Lexan EXL9330 Resin
Impact Resistance:	11.0 ft lb/in @ -58°F (-50°C)
Flame Rating:	UL - UL94 (.0590 in): V-0 (.118 in): 5VA

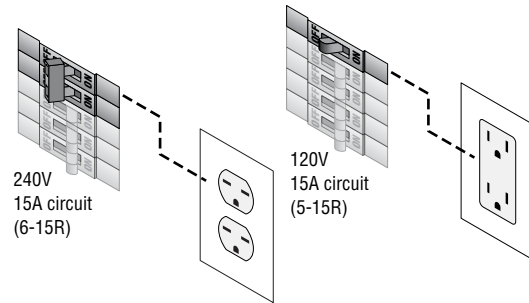
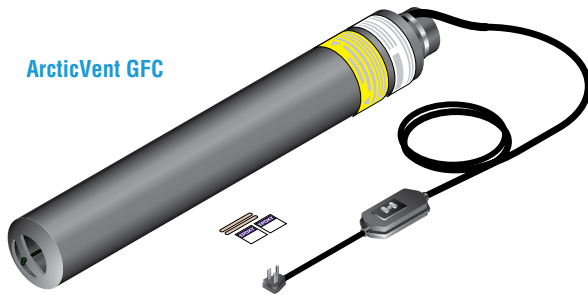
Suggested Coupling Adhesive:

2 part epoxy or loctite E-90FL (not included)

Plumbing / Mechanical Installation**ArcticVent Standard Installation**

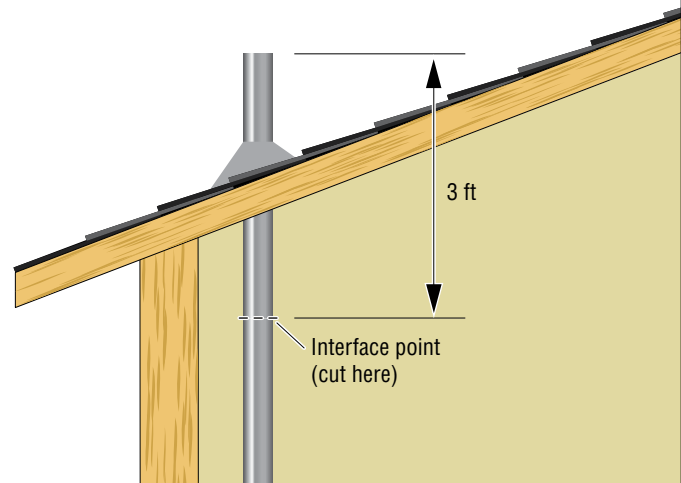
- Carefully unpack the ArcticVent and inspect for any shipping damage.
- For GFC models, it is recommended that a single circuit (15 amp) be installed by a qualified electrician for dedicated use of the system. **Do not use extension cords.**

ArcticVent GFC

**1****For new installations proceed to step 3**

Retro-Fit Installations:

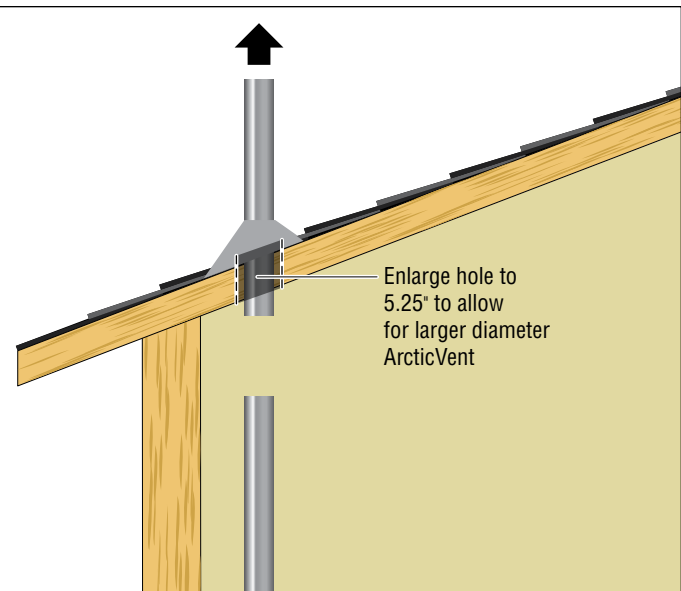
- Determine the interface point of the 3-inch stack to the ArcticVent inside the dwelling.
- Use a pipe cutter or saw, cut the existing 3-inch diameter stack.

**2**

Retro-Fit Installations:

- Remove cut stack by pulling it up through the roof. Enlarge the hole in the roof (if necessary) to accommodate the larger diameter ArcticVent. Approximately 5.25 inches or as required.
- Common ABS fittings (not supplied) can be used to modify larger or smaller ABS vent pipes to 3-inch diameter.
- Remove or modify existing roof flashing if required.

Existing metal or neoprene flashing may need to be replaced or require some alteration. Non-toxic lubricants may be used to alleviate the friction while pushing ArcticVent through the Neoprene gasket.

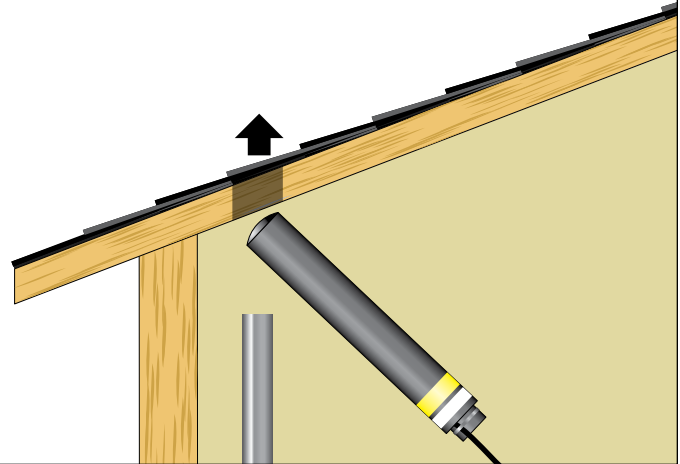


3

- The ArcticVent can be installed from below and pushed up through the roof and by using standard vent stack installation and flashing practices.
- Always be careful not to damage the electrical power cord during installation movements and final fitting.

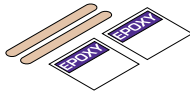
Important: Be careful not to damage the power cord when passing the vent through structures and while positioning it.

Roof flashing removed for replacement in the example shown.



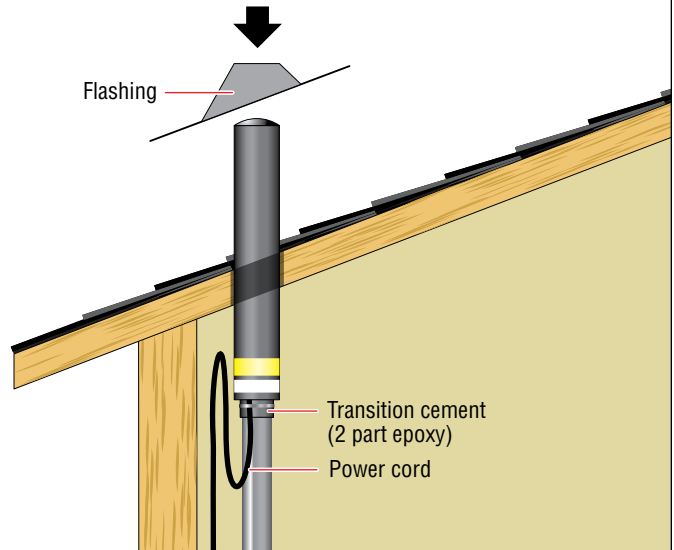
4

- If metal flashings or other types of flashings are used, be sure to weatherproof the ArcticVent around the flashing using standard and approved construction practices.
- Connect the ArcticVent bottom coupling to the unheated stack at the interface point using approved transition cement or supplied 2-part epoxy.



- Support may be required (not supplied) to carry the added weight (11 lbs) of the ArcticVent. Use common approved construction practices to achieve this if necessary.

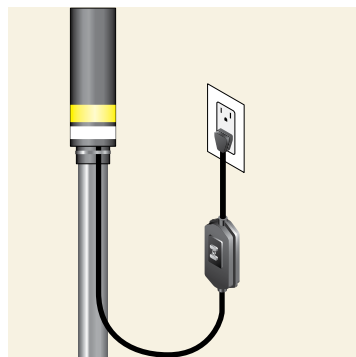
The plumbing/mechanical portion of this installation is now complete.



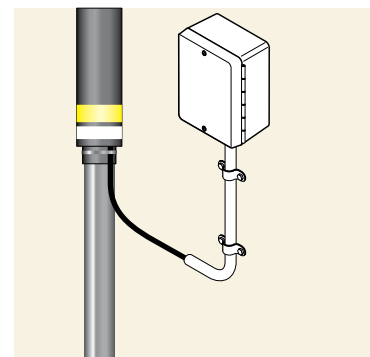
Electrical Connection

- After all plumbing fittings have been completely installed it is now time to energize your ArcticVent system. Carefully follow the Electrical System Check instructions on Page 5.
- A timer such as Heat-Line's HLPC-TIMER can be added for increased energy efficiency.

Ground-faulted plug-in (GFC) model shown.



Cord set (CS) model shown. GFCI circuit protection required.



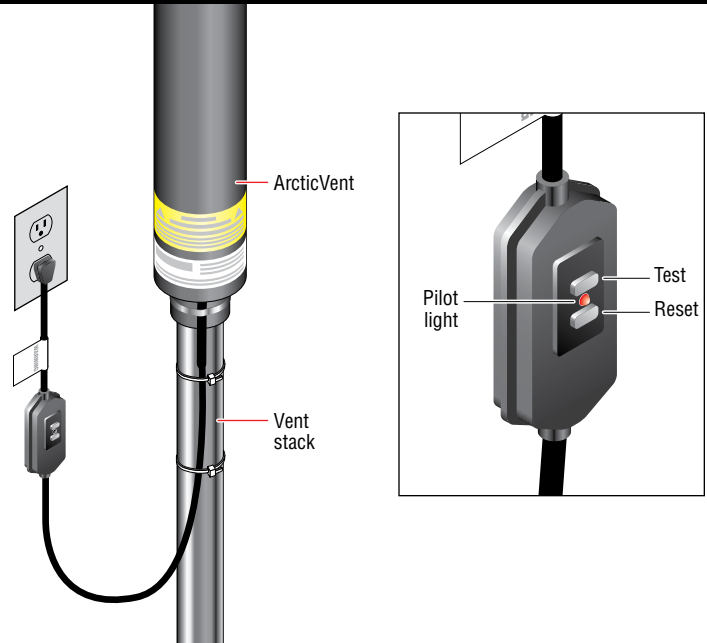
Electrical Installation and Testing

Electrical System Check on GFC Models (perform monthly while in use)

- Unpack the ArcticVent system plug from its protective package.
- Plug into your dedicated outlet. 120V outlet (5-15R) for 120V systems or 240V outlet (6-15R) for 240V systems.
- Push RESET button on the cord set ground fault device until light turns ON. If light does not illuminate check power to outlet. Do not remove or tamper with the cord set.
- Push TEST button and light will turn OFF. This indicates that the electrical circuit is intact and fully protected.
- Push RESET button again and light will turn ON. This indicates that your ArcticVent is working.
- Follow this test procedure before each season and monthly while in use.

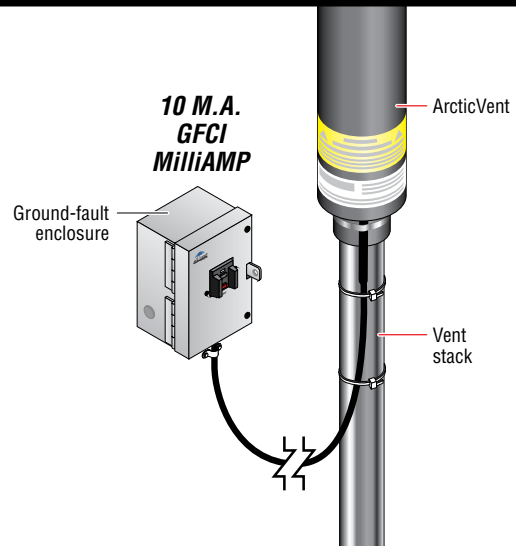
Your ArcticVent is now fully functional.

If at any time your ArcticVent system fails to work call your local electrician or Heat-Line for assistance at (800) 584-4944.



CS Models

- GROUND FAULT PROTECTION MUST be used in the supply circuit**
- Wire the cord into an approved electrical enclosure with an approved fitting.
- Heat-Line's MA-10 MilliAMP device may be purchased for ground fault protection and is supplied with a NEMA 3R enclosure.



SAFETY WARNINGS!

- NEVER BYPASS THE GROUND FAULT CIRCUIT PROTECTION.**
- DO NOT USE EXTENSION CORDS WITH THIS PRODUCT.**
- NEVER CUT OR ALTER THIS PRODUCT IN ANY MANNER.**
- IF THE GROUND FAULT DOES NOT RESET CALL AN ELECTRICIAN.**
- FOR PRODUCT OR INSTALL QUESTIONS CONTACT HEAT-LINE.**

Limited Warranty

During the time periods and subject to the conditions hereinafter set forth. Heat-Line will repair or replace to the original user any portion of your ArcticVent product which proves defective in materials or workmanship of Heat-Line. Contact Heat-Line or your installer for warranty service.

At all times Heat-Line shall have and possess the sole right and option to determine whether to repair or replace defective equipment, parts or components. **Damage due to natural events or conditions beyond the control of Heat-Line are NOT COVERED BY THIS WARRANTY.**

STANDARD WARRANTY PERIOD: 60 months from date of purchase or 63 months from date of manufacture, whichever ever occurs first.

EXTENDED WARRANTY PERIOD: 120 months from date of purchase or 123 months from date of manufacture, whichever ever occurs first.

ACCESSORIES, COMPONENTS, ELECTRONICS: Not manufactured by Heat-Line, are warranted only to the extent of original manufacturer's warranty.

LABOUR, COSTS, ETC.: Heat-Line shall in **NO EVENT** be responsible or liable for the cost of field labour or other charges incurred by any customer in removing and/or re-fixing any Heat-Line product, part or component thereof.

THIS WARRANTY WILL NOT APPLY:

- (a) to defects or malfunctions resulting from failure to properly install, operate or maintain the unit in accordance with printed instructions provided,
- (b) to failures resulting from abuse, accident or negligence;
- (c) to normal maintenance services and
- (d) to parts not used in accordance with applicable local codes, ordinance and good trade practices;
- (e) if the unit is moved from its original installation location or
- (f) if the unit is used for purposes other than for what it was designed and manufactured,
- (g) to the integral ground fault device and related electronics.

PRODUCT IMPROVEMENTS: Heat-Line reserves the right to change or improve its products or any component thereof without being obligated to provide such a change or improvement for units sold and/or shipped prior to such change or improvement.

WARRANTY EXCLUSIONS: As to any Heat-Line product after the expiration of the time period of the warranty applicable thereto as set forth above. There will be no warranties including any implied warranties of merchantability or fitness for any particular purpose. No warranties or representations at any time made by any representative of Heat-Line, shall vary or expand the provisions hereof.

LIABILITY LIMITATION: In no event shall Heat-Line be able or responsible for consequential, incidental or special damages resulting from or related in any manner to any Heat-Line product or parts thereof. In the absence of suitable proof of the purchase date, the effective date of this warranty will be based upon the date of manufacture plus 90 days.

Heat-Line Freeze Protection Systems

1095 Green Lake Road
Algonquin Highlands, ON Canada
KOM 1J1
Tel: (705) 754-4545
(800) 584-4944
Fax: (705) 754-4567
info@heatline.com
www.heatline.com

Heat-Line and ArcticVent are registered trademarks of Heat-Line Corporation.

Important: All information, including illustrations, is believed to be reliable. Users, however, should independently evaluate the suitability of each product for their particular application. Heat-Line a Division of Christopher MacLean Ltd. makes no warranties as to the accuracy or completeness of the information, and disclaims any liability regarding its use. Heat-Line's only obligations are those in the Heat-Line Standard Terms and Conditions of Sale for this product, and in no case will Heat-Line be liable for any incidental, indirect, or consequential damages arising from the sale, resale, use, or misuse of the product. Specifications are subject to change without notice. In addition, Heat-Line reserves the right to make changes—without notification to Buyer—to processing or materials that do not affect compliance with any applicable specification.



**ArcticVent®
Warranty Form**

CONGRATULATIONS!

You have just purchased the most advanced internal freeze-protection system available on the market, backed by the finest warranty offered in the industry. Your ArcticVent system comes with a standard 5 year limited warranty with an optional 10 year limited warranty available.

~ The warranty applies only to the original purchaser of the product and is not transferable at any time for any reason. The warranty form must be filled out and returned to Heat-Line within 6 months of invoice date or unit manufactured date plus 9 months to be eligible for the 10 year extended warranty. ~

OWNER MAILING ADDRESS

Name _____
 Address _____

 City _____
 Prov/State _____ Postal/ZIP _____
 Country Canada USA Other: _____
 Home Phone _____
 Email _____

INSTALLATION ADDRESS (if different than mailing)

Name _____
 Address _____

 City _____
 Prov/State _____ Postal/ZIP _____
 Country _____
 Work/Cell _____

PRODUCT INFORMATION

Product Cat.# _____
 Serial # _____

Installation Type:
 Residential
 Commercial
 Industrial
 Other: _____

WARRANTY INFORMATION

5 Year Limited Warranty: **INCLUDED!**

10 Year Limited Warranty: \$95.00

PAYMENT DETAILS FOR 10 YEAR LIMITED WARRANTY

Taxes and Currency

If Canadian Address:
 Subtotal: _____
 Provincial Tax %: _____ Tax Due: _____
 Total in CDN Currency:

If U.S. Address or Other Country:
 No Taxes Apply
 Total in US Currency:

PAYMENT METHOD

Cheque

Enclose and make out to Heat-Line for full amount

Credit Card: Mastercard or Visa

Name on Card: _____

Card Number: _____

Expiration Date: ____ ____

LIMITED WARRANTY

During the time periods and subject to the conditions hereinafter set forth, Heat-Line will repair or replace to the original user any portion of your ArcticVent product which proves defective in materials or workmanship of Heat-Line. Contact Heat-Line or your installer for warranty service.

At all times Heat-Line shall have and possess the sole right and option to determine whether to repair or replace defective equipment, parts or components. **Damage due to natural events or conditions beyond the control of Heat-Line are NOT COVERED BY THIS WARRANTY.**

STANDARD WARRANTY PERIOD: 60 months from date of purchase or 63 months from date of manufacture, whichever ever occurs first.

EXTENDED WARRANTY PERIOD: 120 months from date of purchase or 123 months from date of manufacture, whichever ever occurs first.

ACCESSORIES, COMPONENTS, ELECTRONICS: Not manufactured by Heat-Line, are warranted only to the extent of original manufacturer's warranty.

LABOUR, COSTS, ETC.: Heat-Line shall in **NO EVENT** be responsible or liable for the cost of field labour or other charges incurred by any customer in removing and/or reaffixing any Heat-Line product, part or component thereof.

THIS WARRANTY WILL NOT APPLY:

(a) to defects or malfunctions resulting from failure to properly install, operate or maintain the unit in accordance with printed instructions provided,

- (b) to failures resulting from abuse, accident or negligence;
- (c) to normal maintenance services and
- (d) to parts not used in accordance with applicable local codes, ordinance and good trade practices;
- (e) if the unit is moved from its original installation location or
- (f) if the unit is used for purposes other than for what it was designed and manufactured,
- (g) to the integral ground fault device and related electronics.

PRODUCT IMPROVEMENTS: Heat-Line reserves the right to change or improve its products or any component thereof without being obligated to provide such a change or improvement for units sold and/or shipped prior to such change or improvement.

WARRANTY EXCLUSIONS: As to any Heat-Line product after the expiration of the time period of the warranty applicable thereto as set forth above. There will be no warranties including any implied warranties of merchantability or fitness for any particular purpose. No warranties or representations at any time made by any representative of Heat-Line, shall vary or expand the provisions hereof.

LIABILITY LIMITATION: In no event shall Heat-Line be able or responsible for consequential, incidental or special damages resulting from or related in any manner to any Heat-Line product or parts thereof. In the absence of suitable proof of the purchase date, the effective date of this warranty will be based upon the date of manufacture plus 90 days.

PROOF OF PURCHASE

If a proof of purchase copy is submitted with this warranty application form, the warranty period will be effective as of invoice date. In the absence of suitable proof of purchase, the effective date of this warranty will be based upon the date of unit manufacture plus 3 months.

Proof of purchase (invoice) attached: Yes No

By signing below you acknowledge you have read and understand the full limited warranty document.

Signed: _____

Dated: _____

The warranty form must be filled out and returned to Heat-Line within 6 months of invoice date or unit manufactured date plus 9 months to be eligible for 10 year extended warranty.

Heat-Line and ArcticVent are registered trademarks of Heat-Line Corporation.

Heat-Line Freeze Protection Systems

1095 Green Lake Road / Algonquin Highlands, / KOM 1J1 / info@heatline.com / www.heatline.com
ON Canada